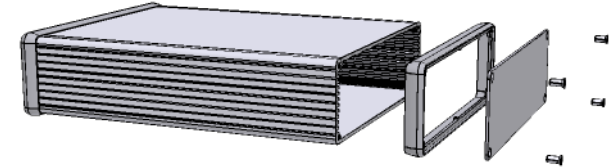
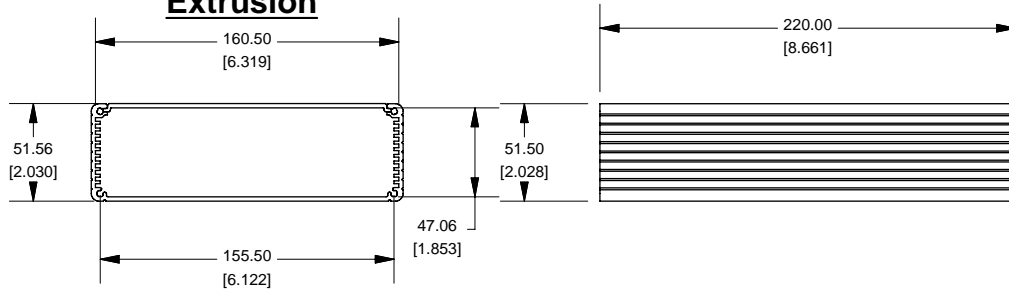
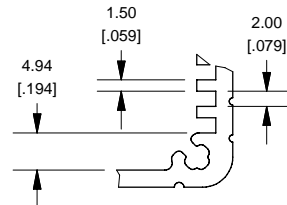


Extrusion

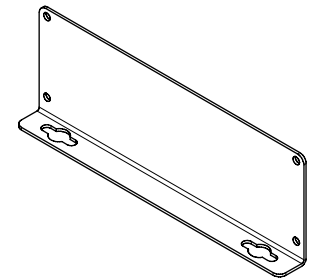
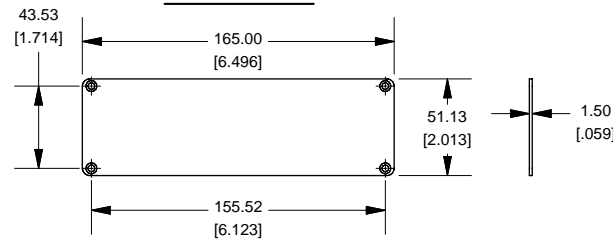


EXTRUSION DESIGNED FOR 160MM WIDE PC BOARD

Slot Details

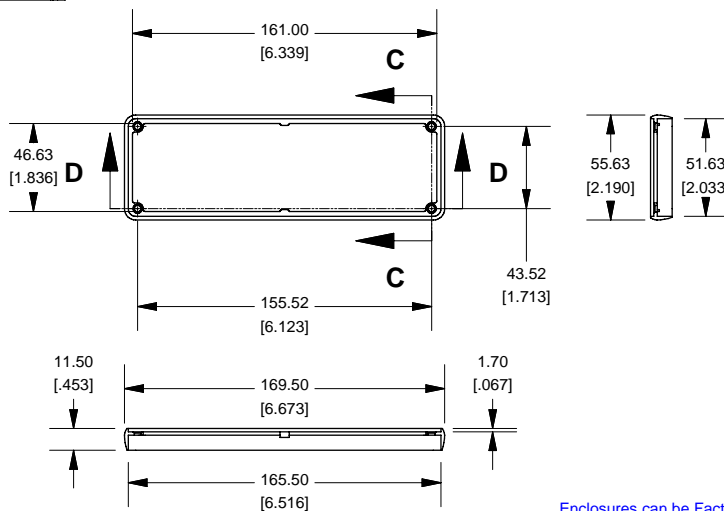


End Plate



OPTIONAL FLANGE END PANELS
1455TF

Open Bezel



NOTE	
Purchased assembly includes box, plastic bezels, end panels, #6 Taptight screws and self adhesive rubber feet.	
Box made from Extruded Aluminum 6063.	
Bezels made with polycarbonate.	

1455T2201	
PART NUMBERS	
Clear Anodized	1455T2201
Black Anodized	1455T2201BK
ACCESSORIES	
See website for accessories.	



HAMMOND
MANUFACTURING™

1455T2201

www.hammondmfg.com

Enclosures can be Factory Modified (Milling, Drilling, Printing etc.)
Solid models of this enclosure available in STEP or IGES.
Contact Factory mjm@hammondmfg.com